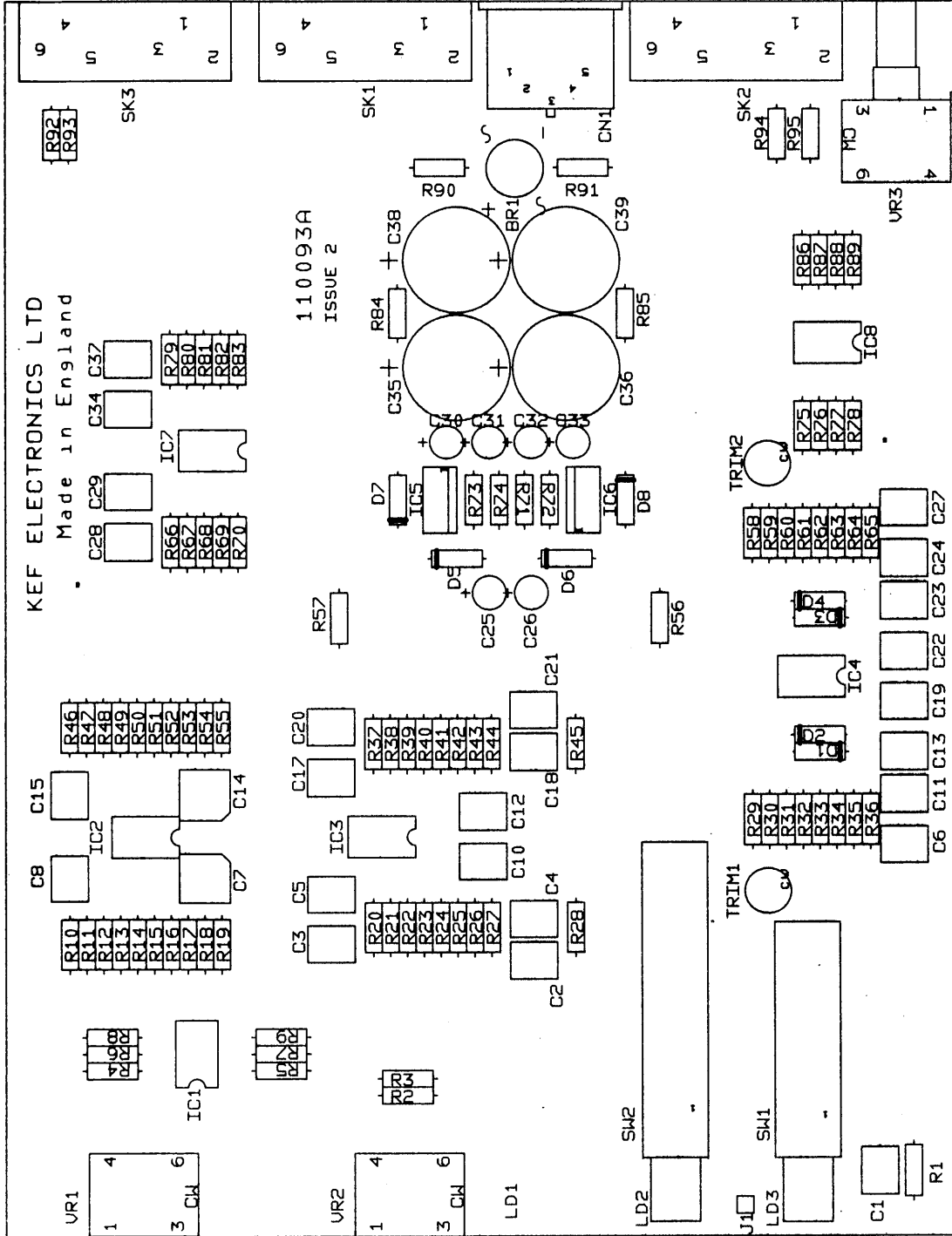
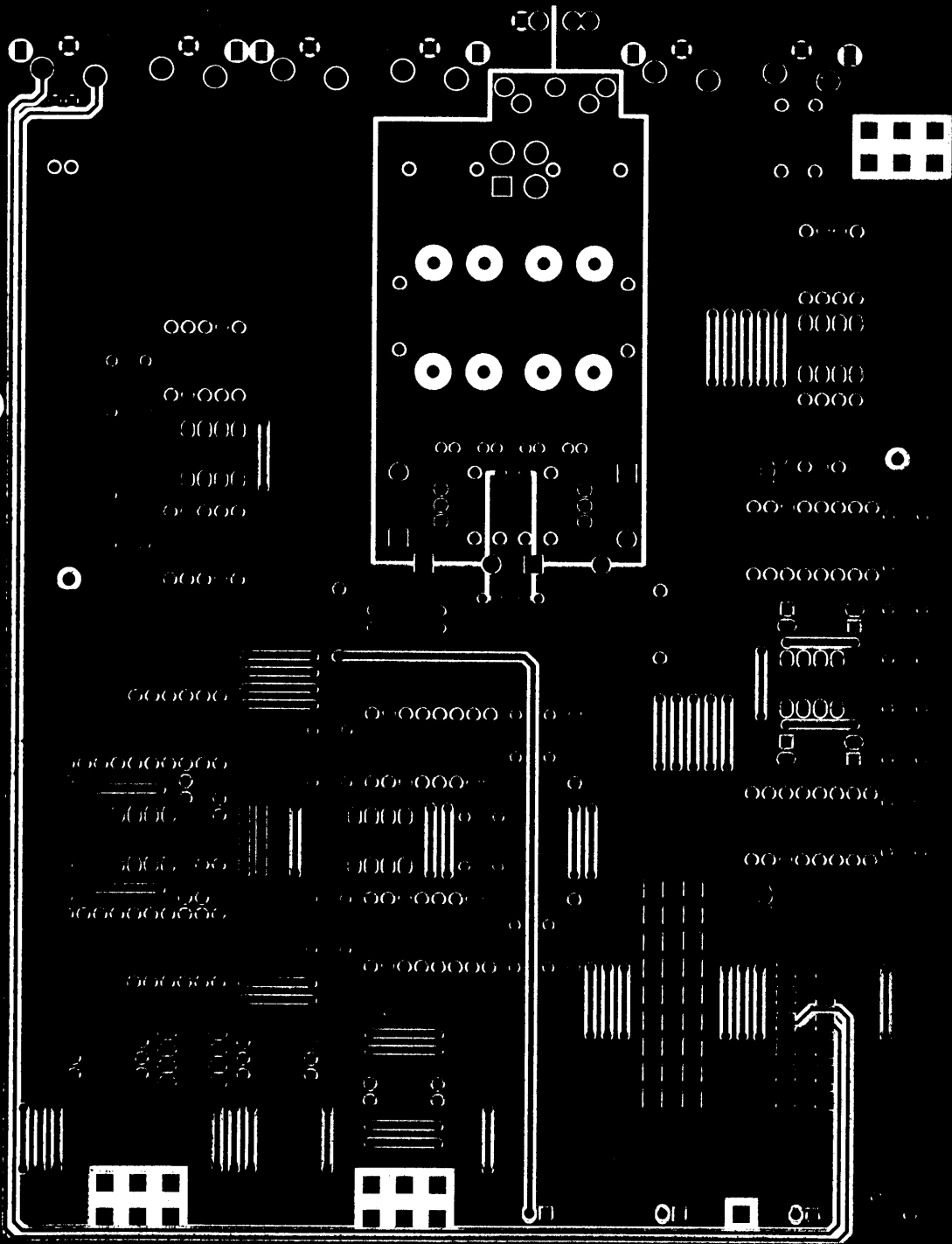


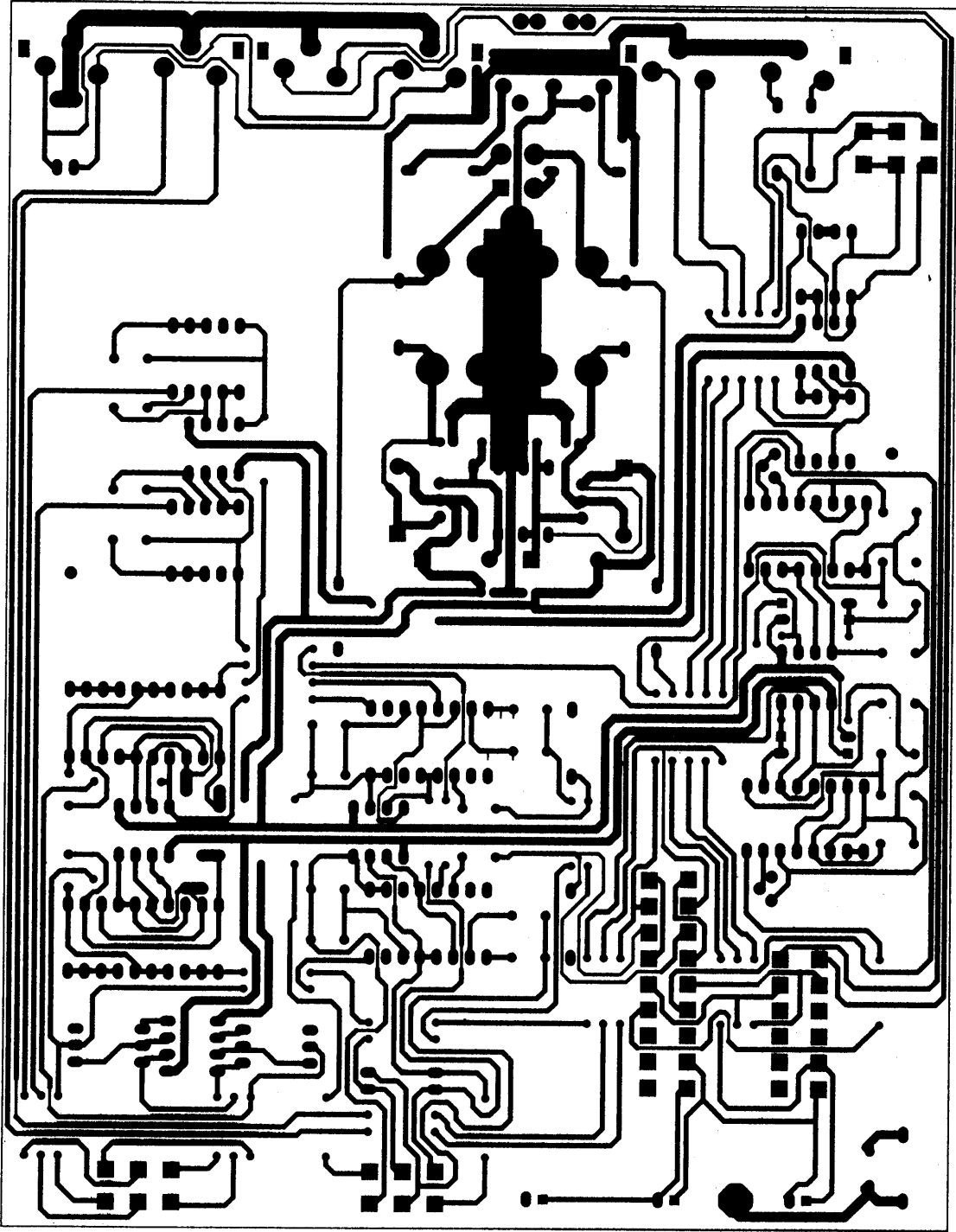
KEF ELECTRONICS LTD  
Made in England

110093A  
ISSUE 2

110093A ISSUE 2  
26-03-90 EC



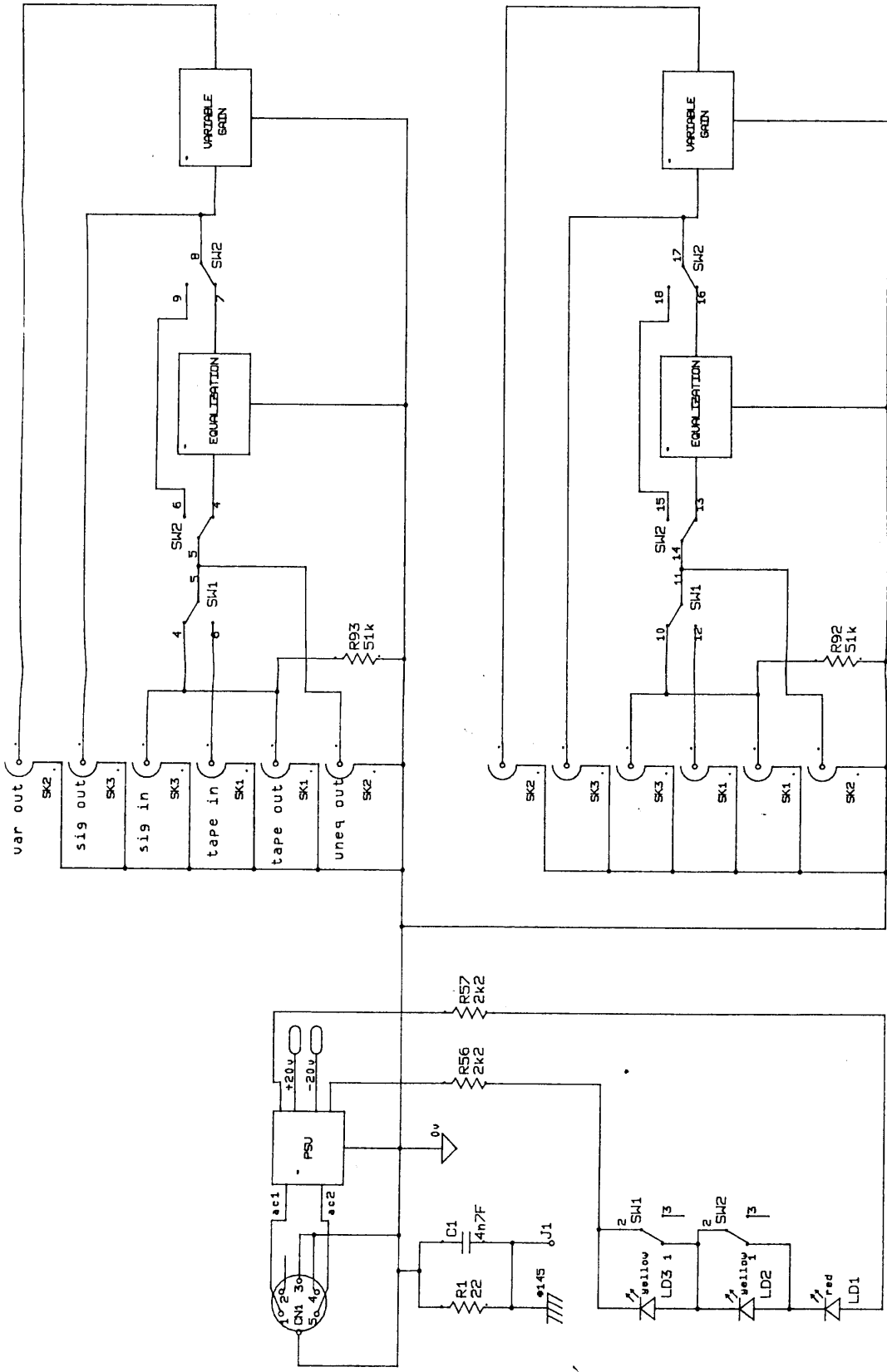




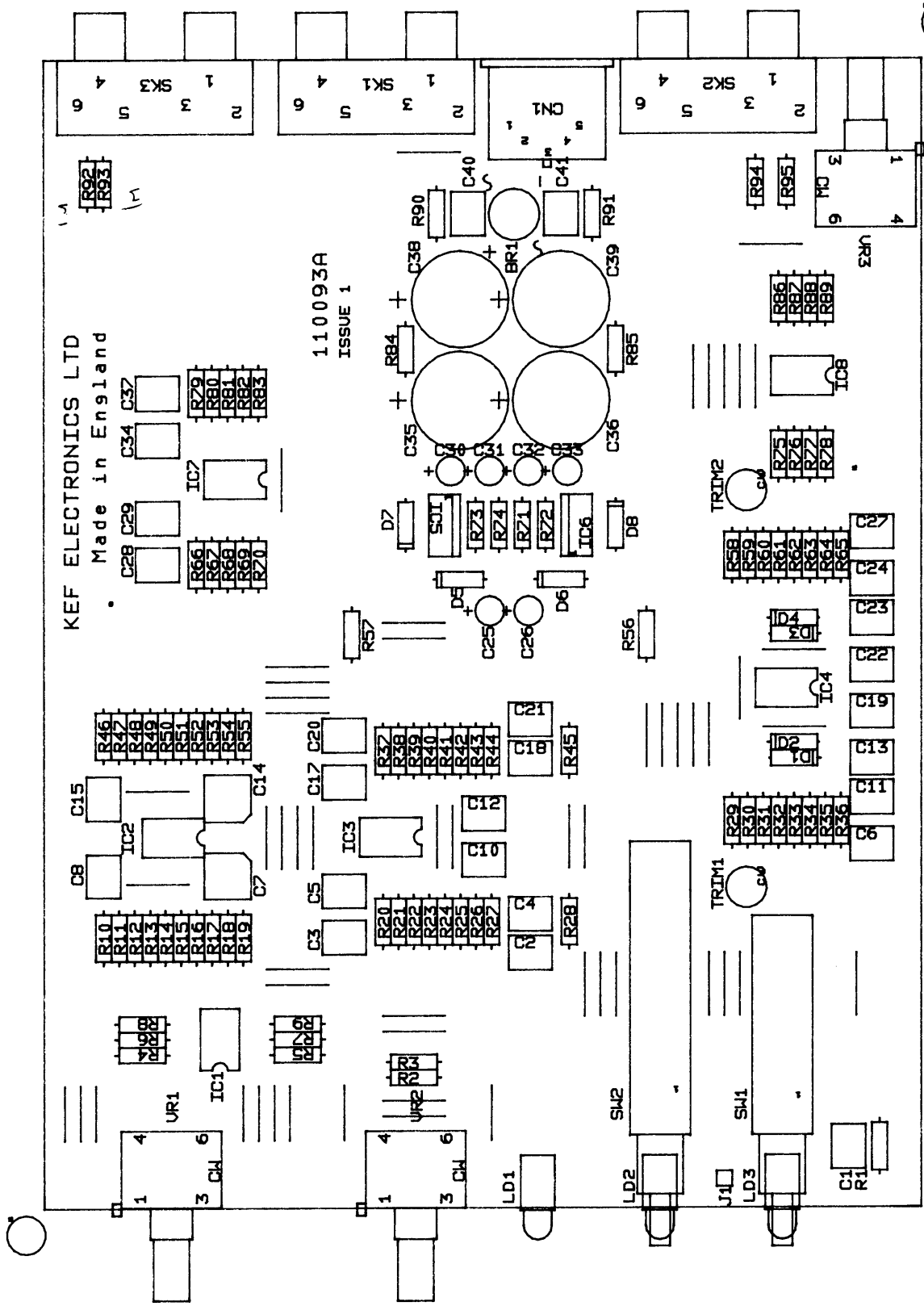
110093A ISSUE 2  
26-03-90 EC

TRACK LAYER  
VIEWED FROM COMPONENT SIDE

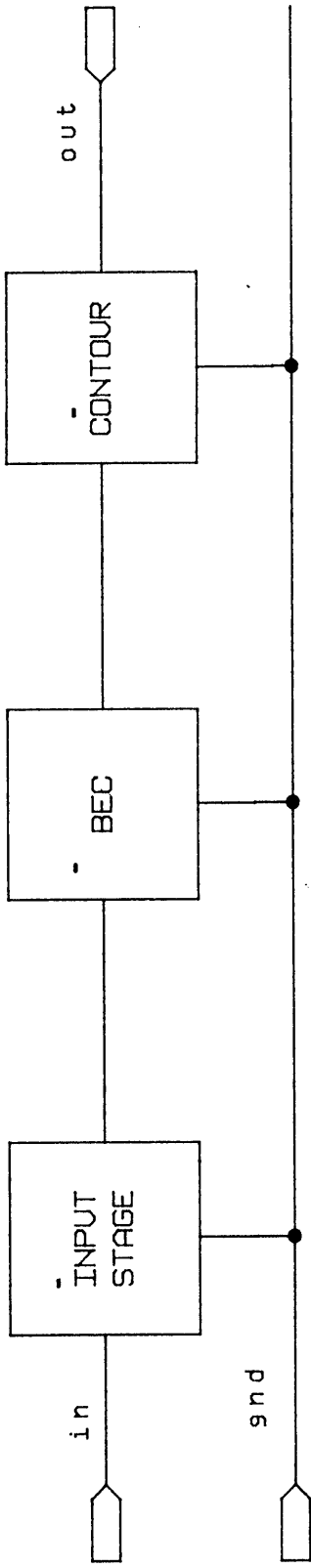




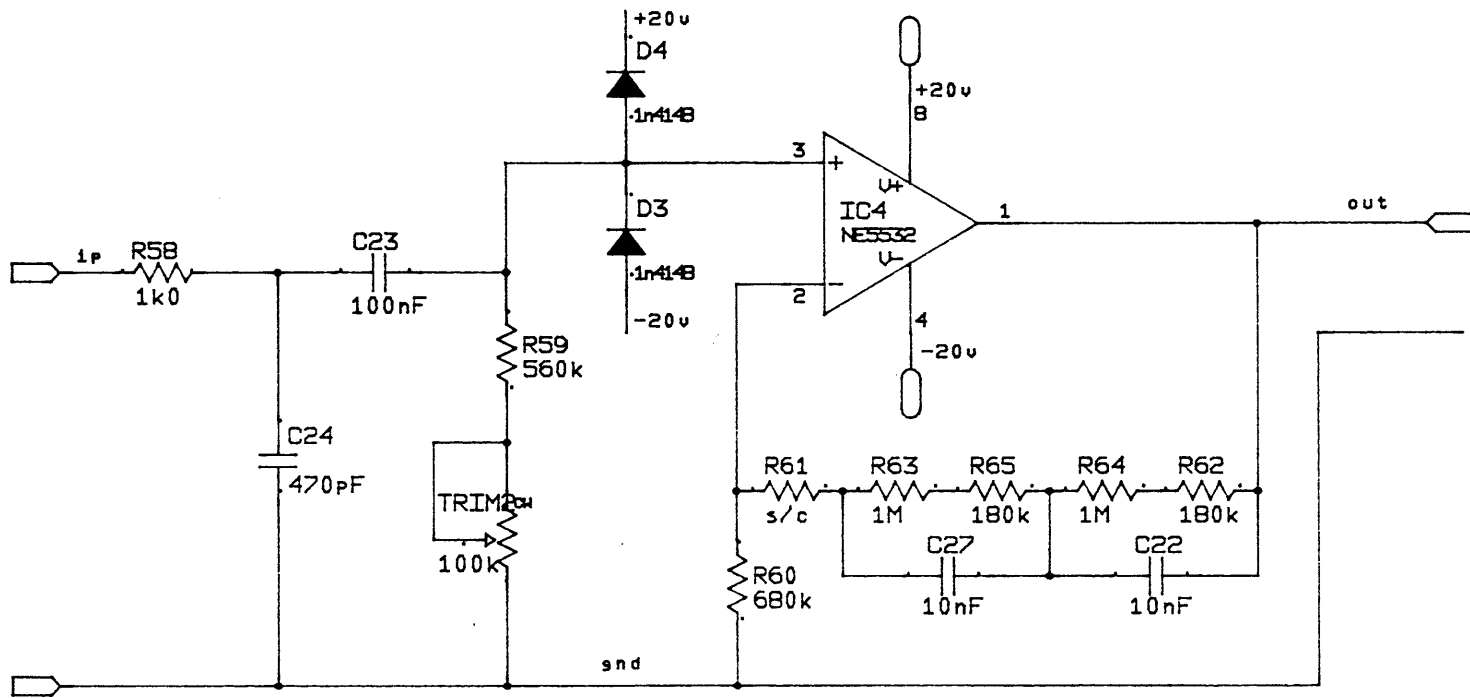
KUBE 200 SP2147  
26-03-90 EC



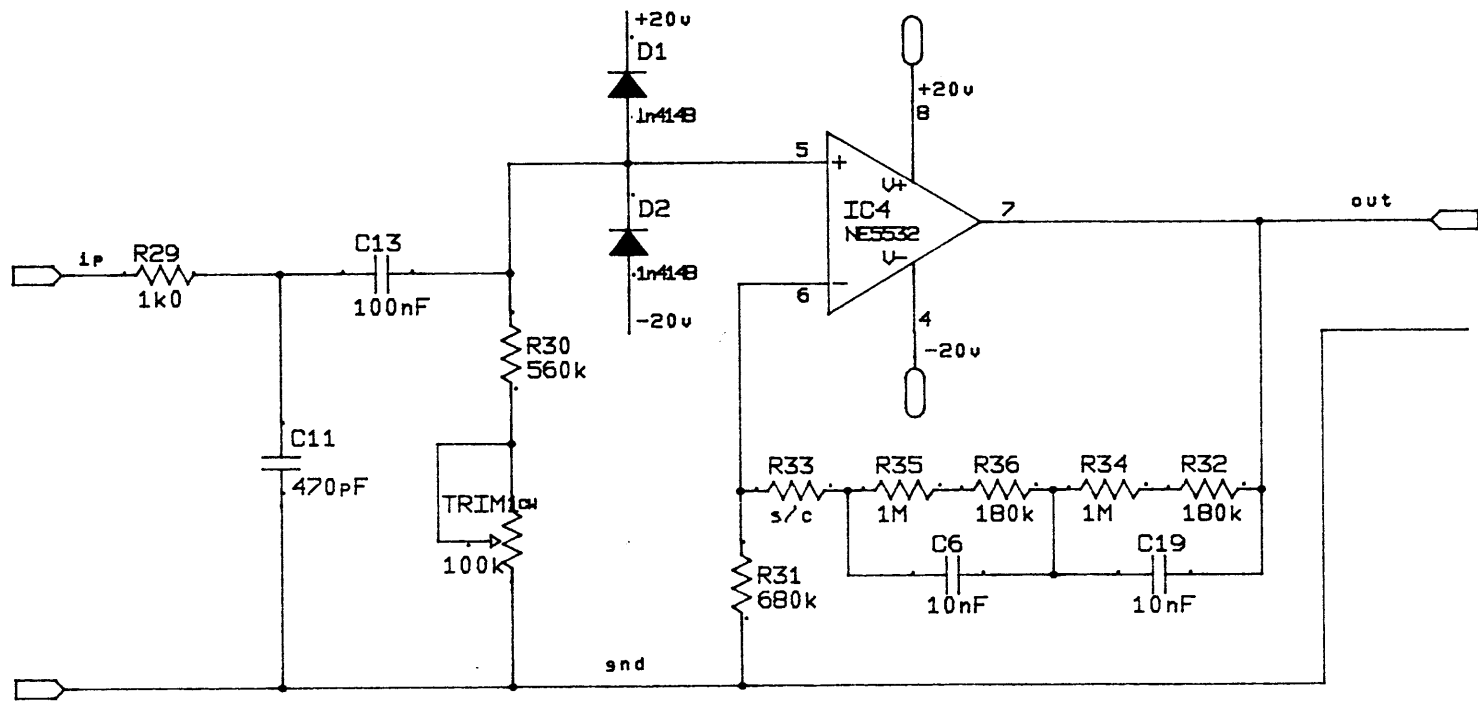
110093A ISSUE 1  
 07-02-90 EC



EQUALIZATION  
3-1-90  
EC

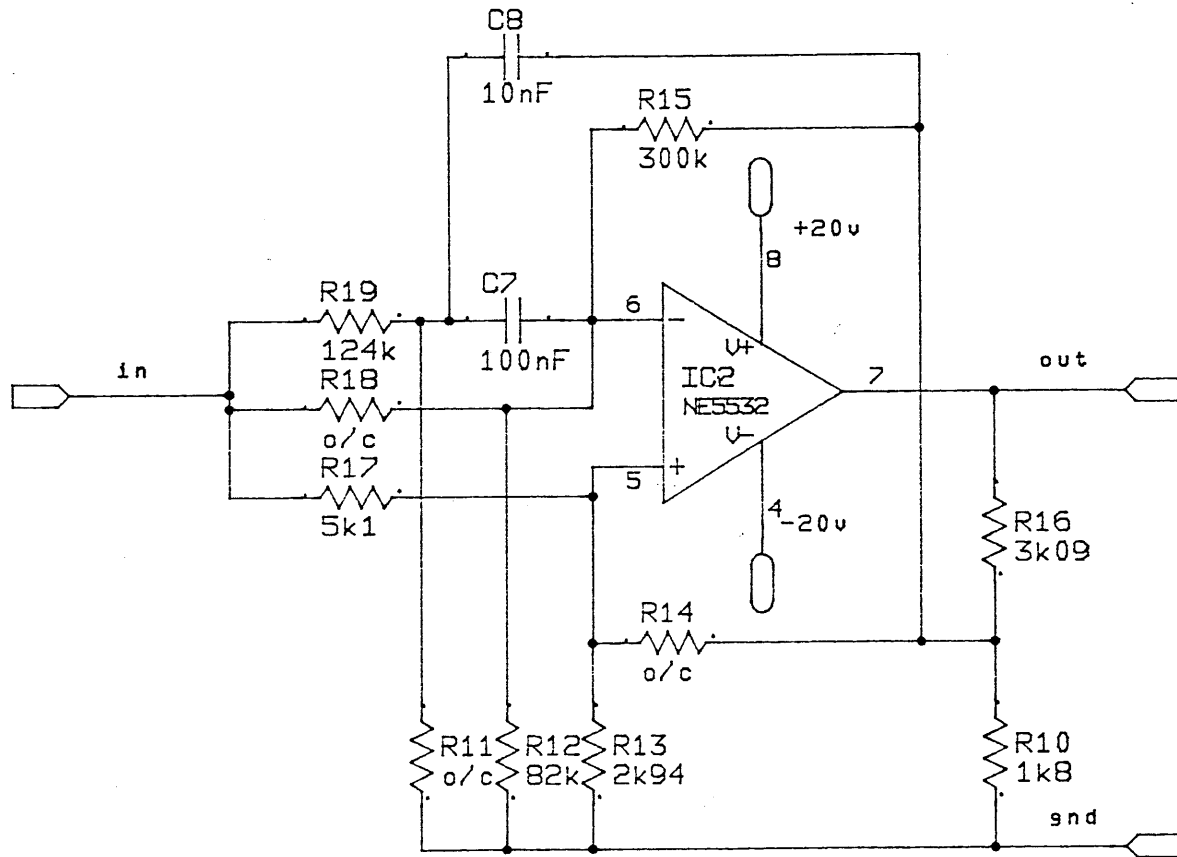


INPUT STAGE  
 5-2-90  
 EC

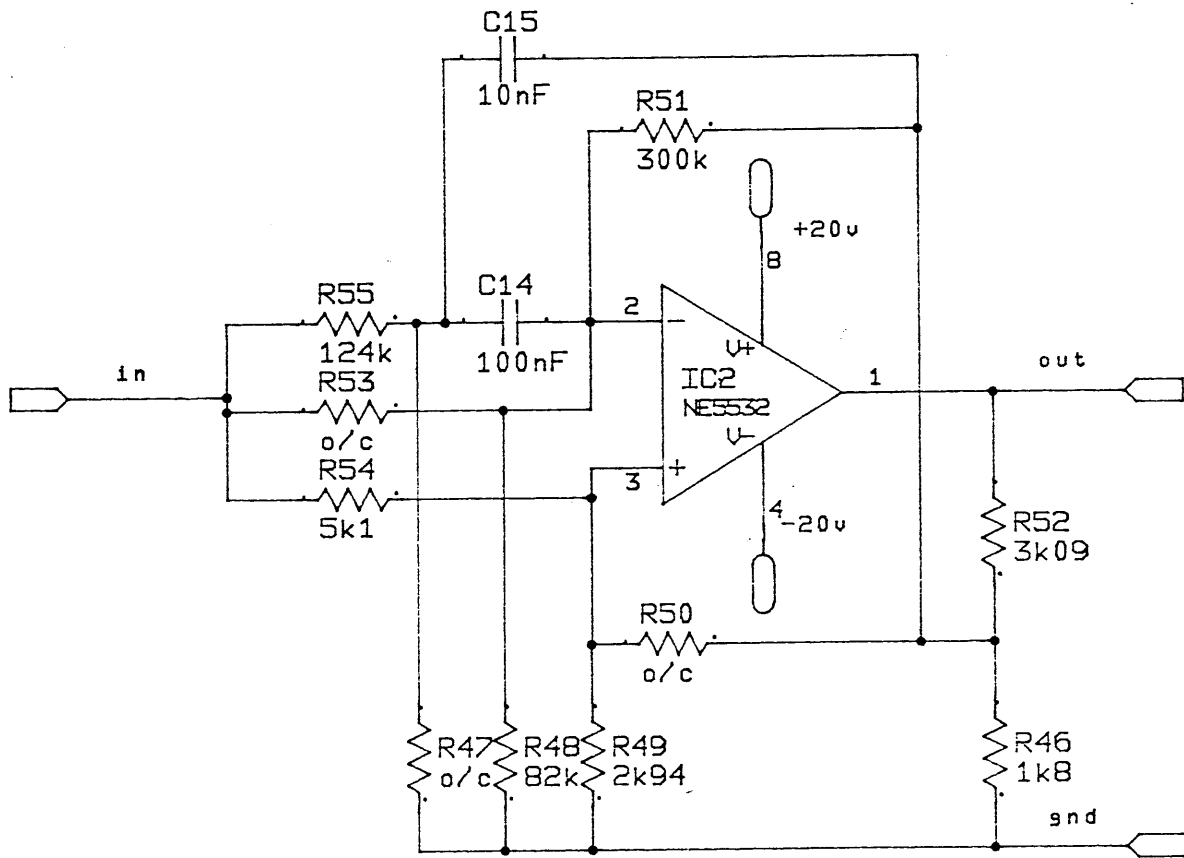


INPUT STAGE  
 S-2-90  
 EC

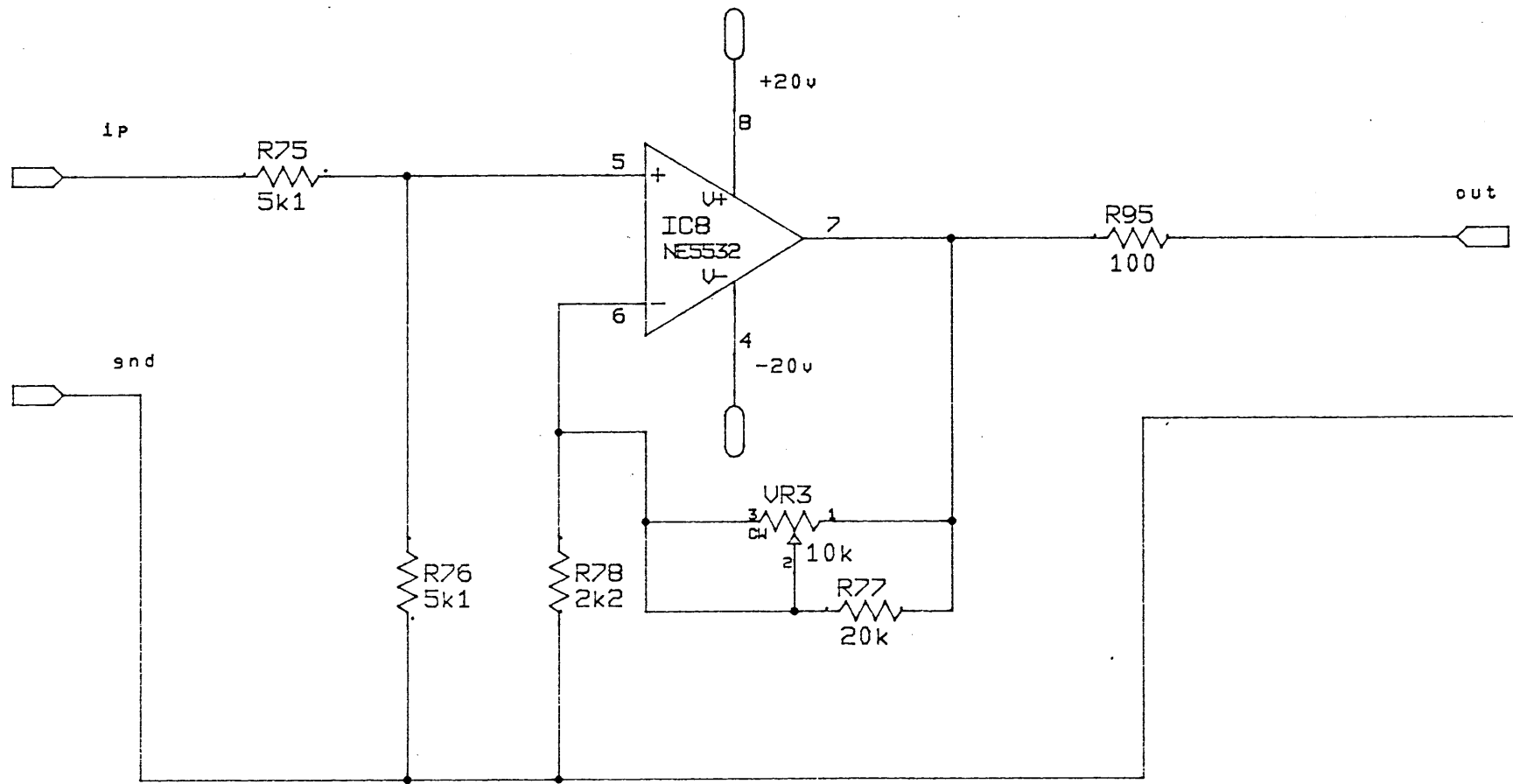




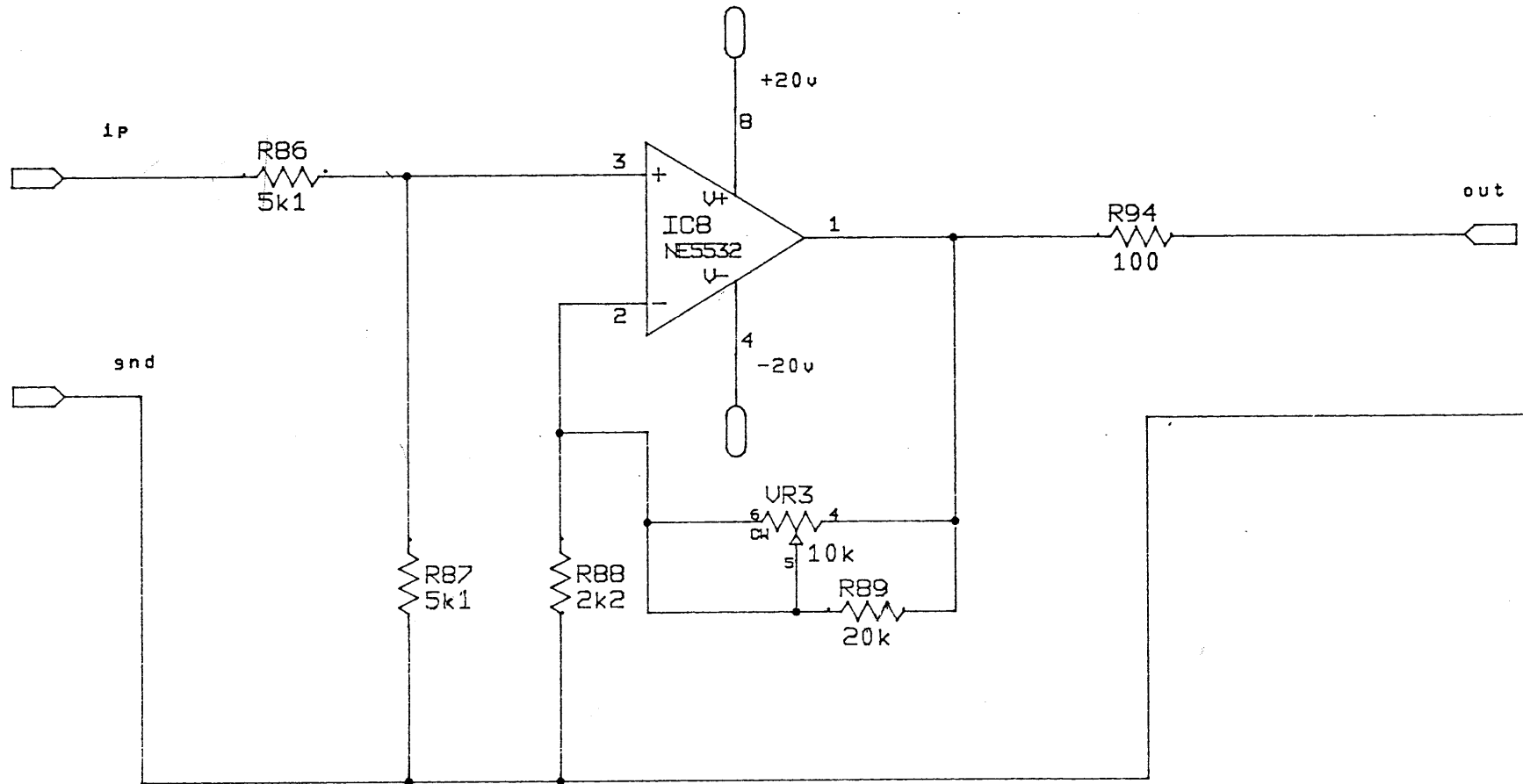
BEC



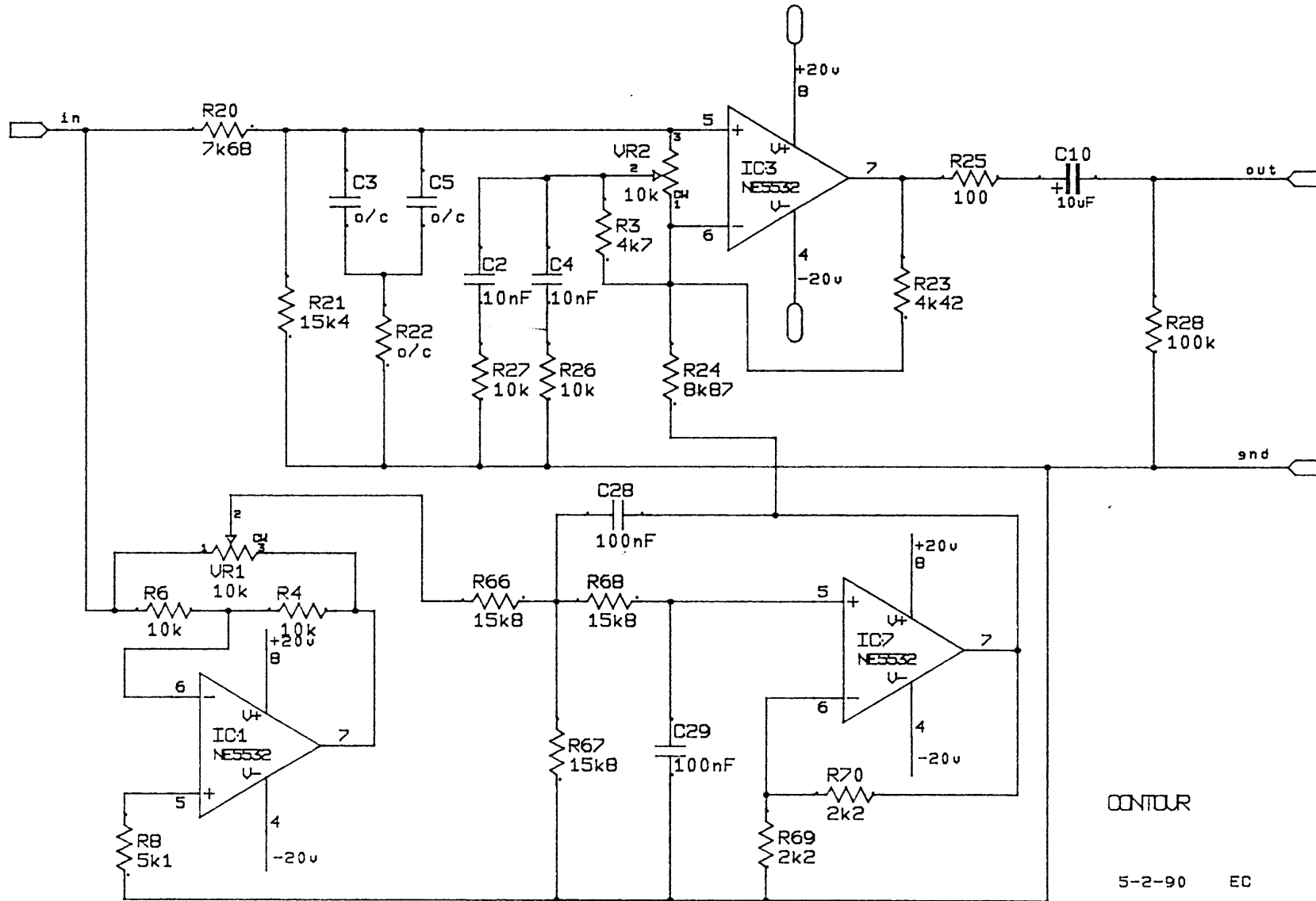
BEC



VARIABLE GAIN  
 3-1-90  
 EC

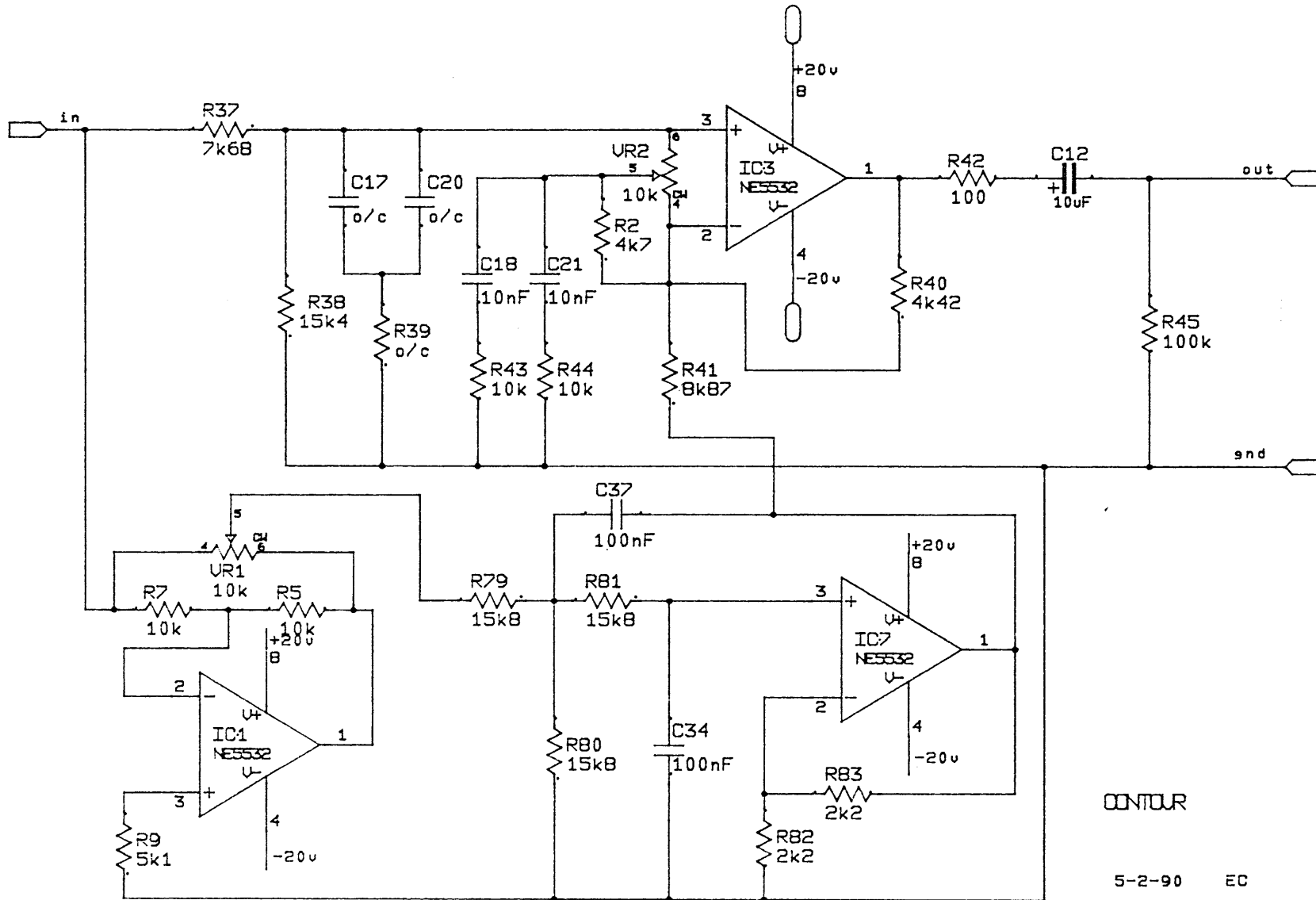


VARIABLE GAIN  
3-1-90  
EC



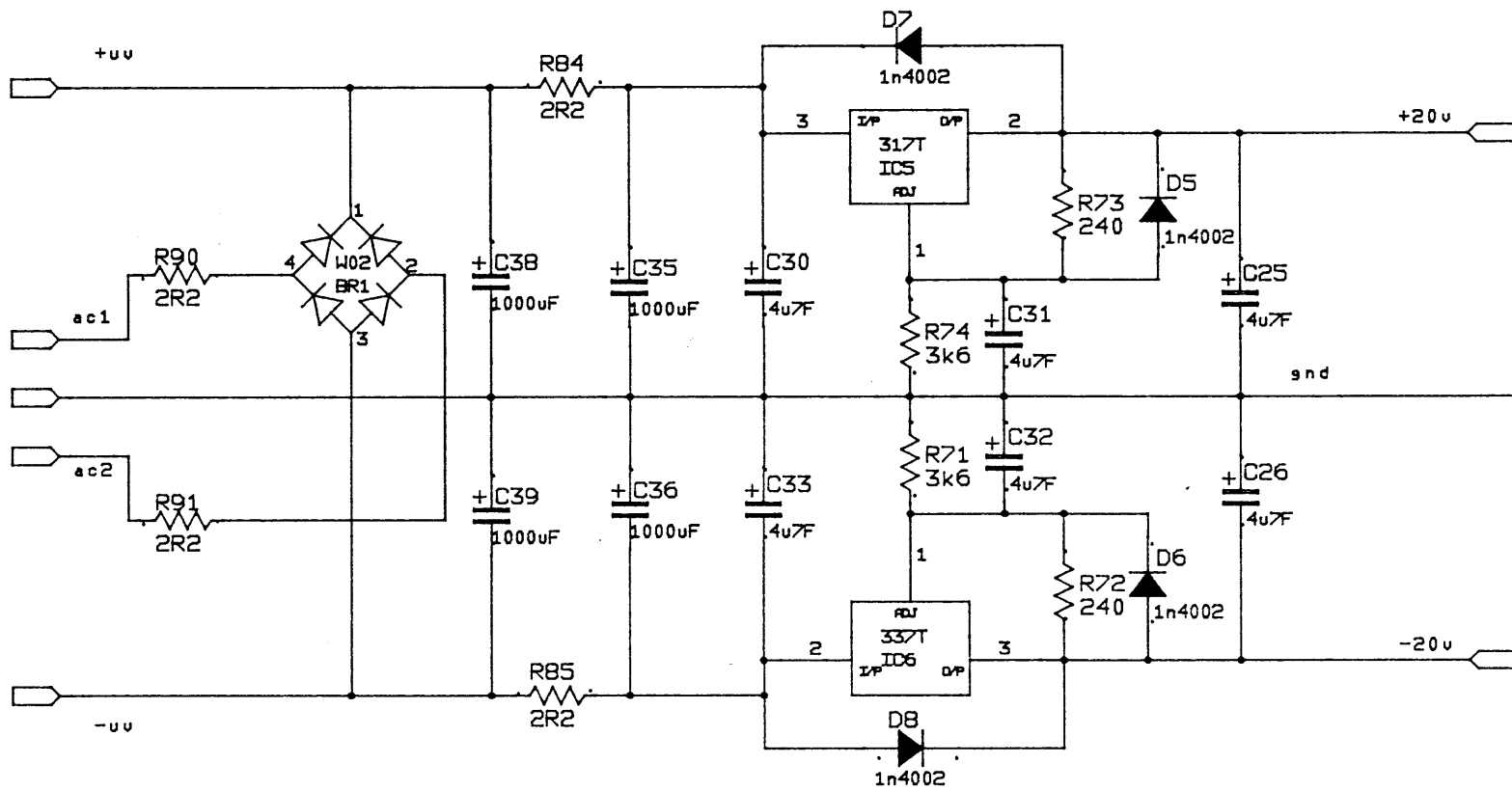
CONTOUR

5-2-90 EC



CONTOUR

5-2-90 EC



KUBE 200 SP2147  
 POWER SUPPLY UNIT  
 3-1-90 EC